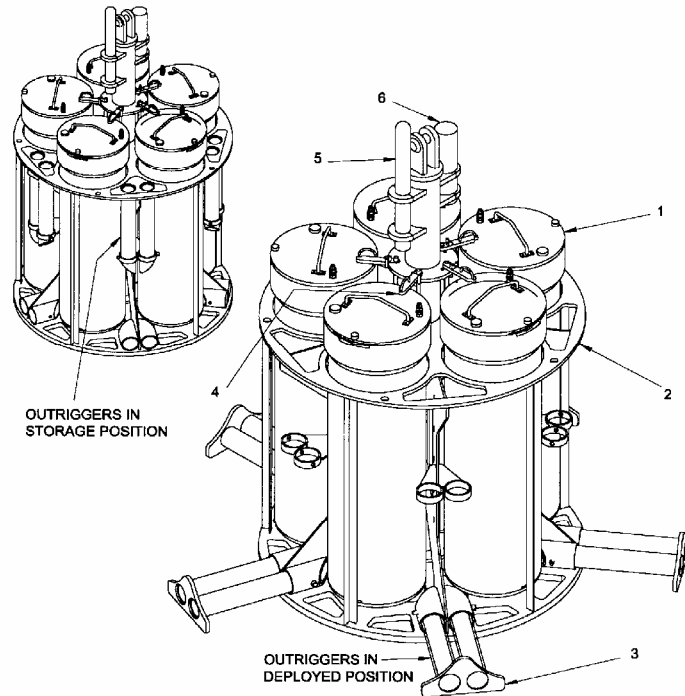


# SUBMARINE RESCUE EQUIPMENT

## TRANSFER POD CAROUSEL ASSEMBLY

PART NO: A407-050



#### LEGEND

1. TRANSFER POD ASSEMBLY
2. CAROUSEL WELDMENT
3. OUTRIGGER WELDMENT
4. POD RELEASE/RETENTION ASSEMBLY
5. NOVATECH ST400A XENON FLASHER
6. MODEL 4330B MULTIBEACON TRANSDUCER RESPONDER

The ELSS transfer pod carousel delivers transfer pods to the sea floor for transfer to a disabled submarine. The carousel stores, transports, and deploys the pods in batches of five. The carousel is designed for rapid deployment and interface to the ELSS pod Launch and Recovery System.

**OceanWorks International Corporation**  
3 – 1225 East Keith Road  
North Vancouver, BC  
Canada V7J 1J3  
Tel: 1+604-986-5600  
Fax: 1+604-986-7125



**OceanWorks International, Inc.**  
1646 West Sam Houston Parkway N.  
Houston, TX 77043  
USA  
Tel: 1+713-933-8000  
Fax: 1+713-933-8006

Website: [www.oceanworks.cc](http://www.oceanworks.cc)

# TRANSFER POD CAROUSEL ASSEMBLY

**Part No. A407-050**

## Features:

- Deployable outriggers for maximum slope stability.
- Stable on slopes to 30 degrees.
- Strobe light beacon.
- Mounting point for an acoustic positioning transponder.
- Transfer pod retention mechanism.
- Steel and stainless steel construction, inorganic zinc primer, two-part marine grade epoxy.
- Plastic guides to protect the transfer pods during insertion and removal.
- Lift point pull tested to 2 x safe working load.

## Specifications:

Height	1750 mm
Diameter (Shipping)	1085 mm
Diameter (Outriggers Deployed)	1770 mm
Empty Weight	360 kg

## Options:

- ELSS Transfer Pod Launch and Recovery System (A407-2000)
- ELSS Transfer Pods (A407-100)
- Acoustic Positioning System
- Acoustic Release System



**OceanWorks International Corporation**  
3 – 1225 East Keith Road  
North Vancouver, BC  
Canada V7J 1J3  
Tel: 1+604-986-5600  
Fax: 1+604-986-7125



Website: [www.oceanworks.cc](http://www.oceanworks.cc)

**OceanWorks International, Inc.**  
1646 West Sam Houston Parkway N.  
Houston, TX 77043  
USA  
Tel: 1+713-933-8000  
Fax: 1+713-933-8006