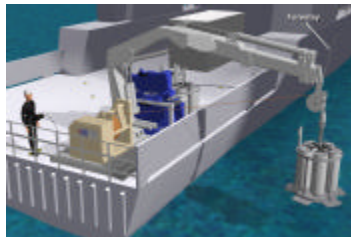
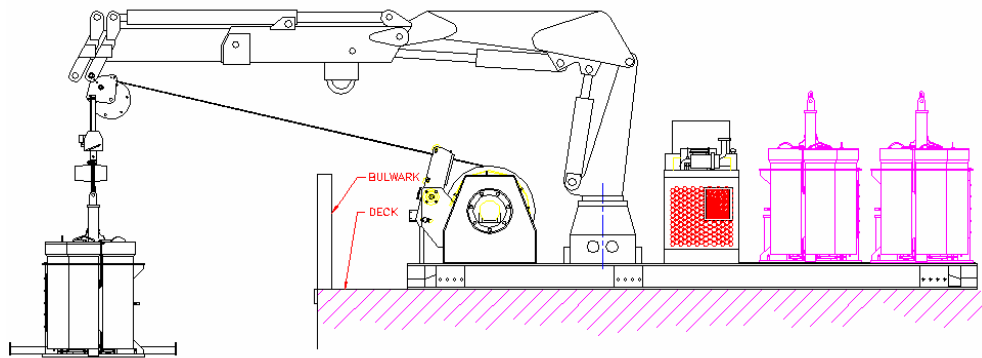


SUBMARINE RESCUE EQUIPMENT

ELSS TRANSFER POD LAUNCH AND RECOVERY SYSTEM

PART NO: A407-2000



The ELSS transfer pod launch and recovery system (LARS) is a self-contained system designed to deploy a transfer pod carousel in up to 610 meters of water. The LARS is contained in a standard 20' ISO container footprint and can be shipped by air or ground. When stowed for shipping the entire system can be transported in a C-130 military transport or by commercial means. The system can be stored for long periods of time and quickly made operable.

OceanWorks International Corporation
3 – 1225 East Keith Road
North Vancouver, BC
Canada V7J 1J3
Tel: 1+604-986-5600
Fax: 1+604-986-7125



OceanWorks International, Inc.
1646 West Sam Houston Parkway N.
Houston, TX 77043
USA
Tel: 1+713-933-8000
Fax: 1+713-933-8006

Website: www.oceanworks.cc

ELSS TRANSFER POD LAUNCH AND RECOVERY SYSTEM

Part No. A407-2000

Features:

- Fully hydraulic, stowable, articulated-boom crane.
- Diesel powered hydraulic power unit.
- Wire rope winch with 1000 meters of torque balanced cable.
- Room for four carousels containing twenty transfer pods.
- Over-boarding sheave and latch mechanism.
- Remote operators console with 10 meter cable.
- System supplied with tarp and tarp supports, lifting slings and spreader bar.
- System can be secured to the deck with either renewable weld down plates or ISO corner box fittings.
- Winch can be located for either over the stern or over the side operations.

Specifications:

Height	2590 mm
Width	2438 mm
Length	6096 mm
Weight	16,800 kg (includes four carousels and twenty pods)

Options:

None



OceanWorks International Corporation
3 – 1225 East Keith Road
North Vancouver, BC
Canada V7J 1J3
Tel: 1+604-986-5600
Fax: 1+604-986-7125



Website: www.oceanworks.cc

OceanWorks International, Inc.
1646 West Sam Houston Parkway N.
Houston, TX 77043
USA
Tel: 1+713-933-8000
Fax: 1+713-933-8006